

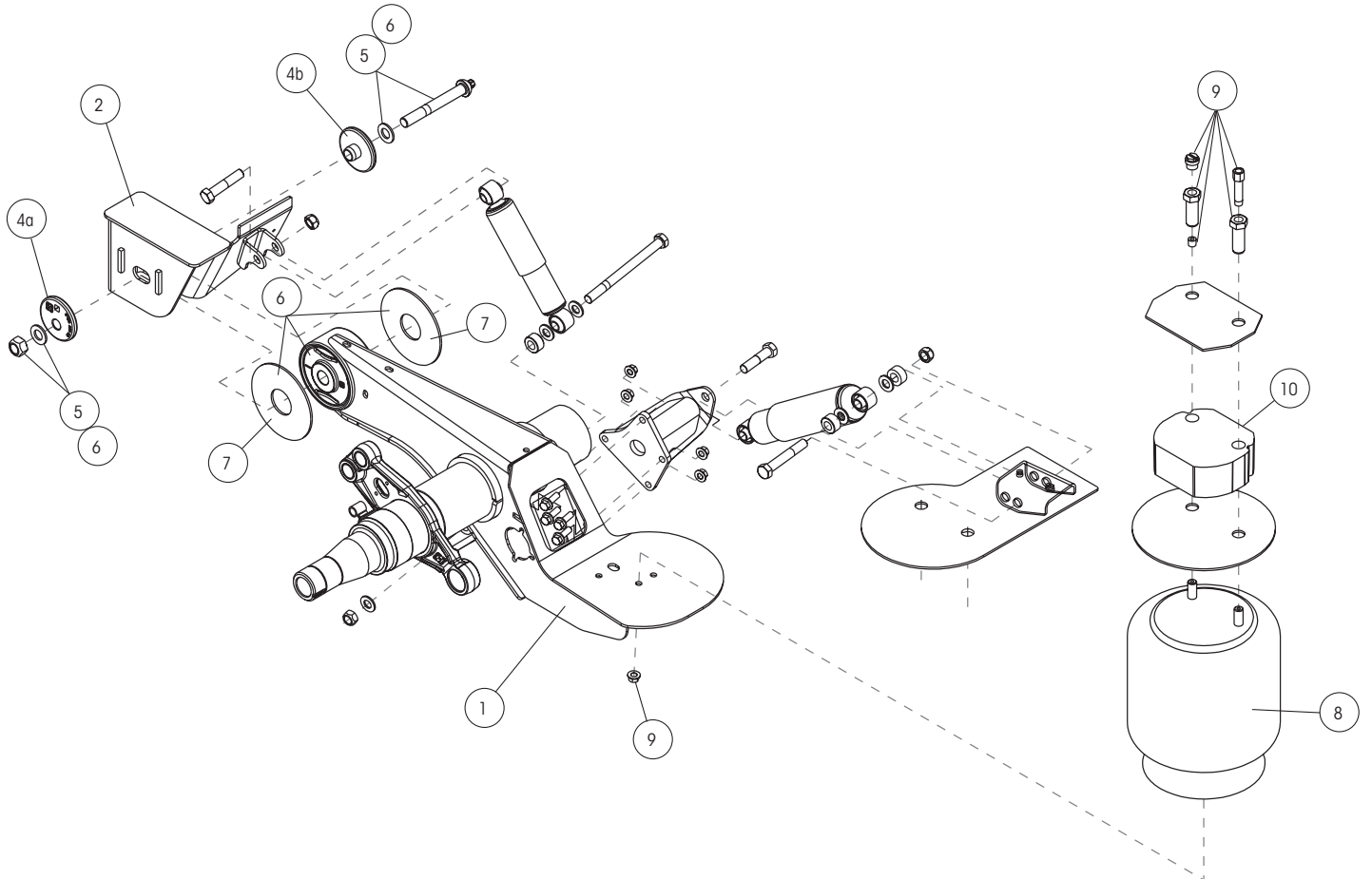
H PARTS LIST

INTRAAX® AANLS 20K

LIT NO: L1050

DATE: January 2012





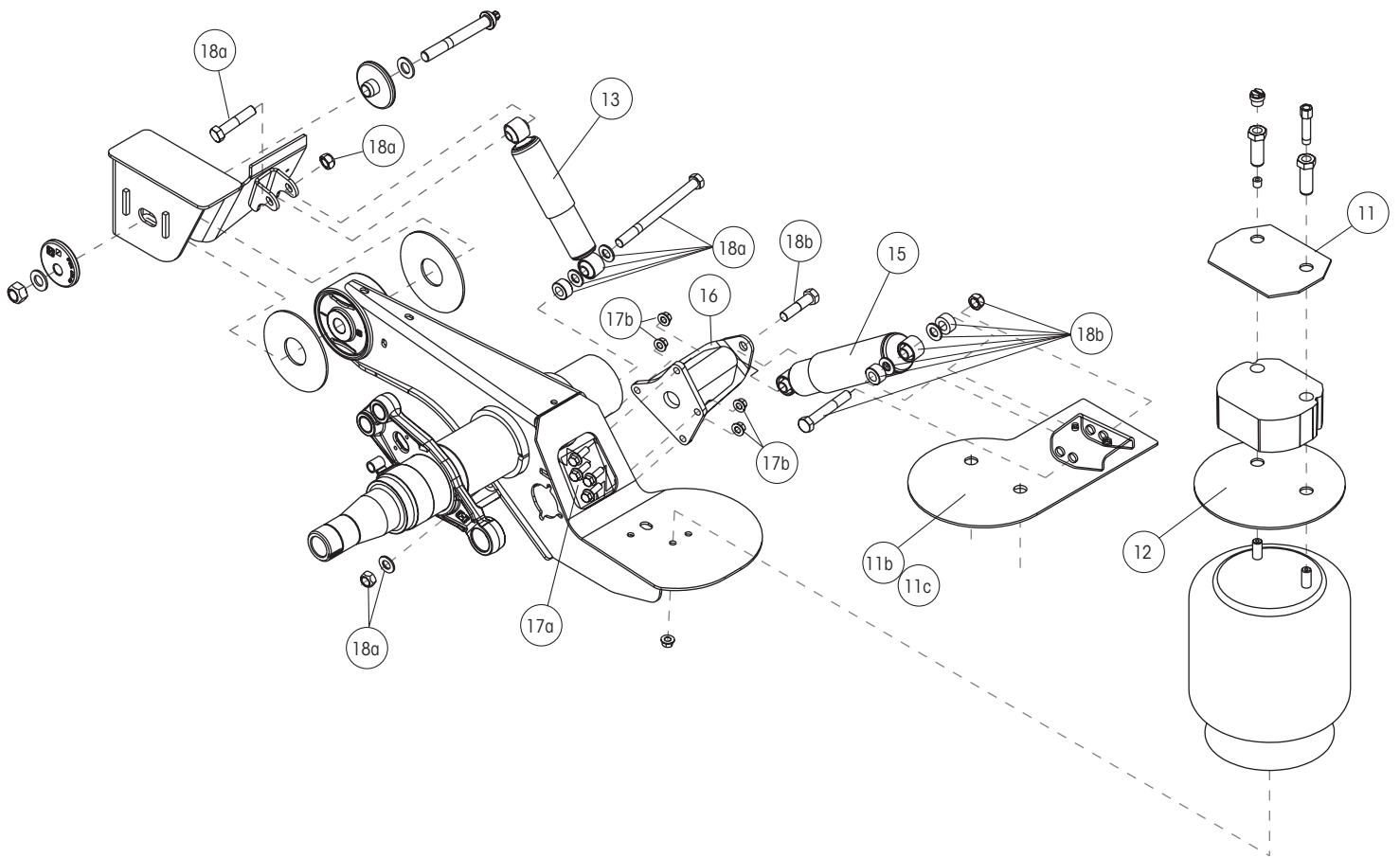


INTRAAAX AANLS 20K PARTS LIST

ITEM	DESCRIPTION	PART NO.	QTY.	NOTE
1	AXLE/BEAM WELDMENT	HTRAAX.XXX	1	Contact Hendrickson for assistance
2	FRAME BRACKETS¹			
	Winged, Weld on			
	Roadside	S-26150-1L	1	6.25" and 7" ride height
	Curbside	S-26150-1R	1	6.25" and 7" ride height
	Winged, Weld on			
	Roadside	S-26150-2L	1	9" ride height
	Curbside	S-26150-2R	1	9" ride height
	Winged, Weld on			
	Roadside	S-27067-5L	1	12" ride height
	Curbside	S-27067-5R	1	12" ride height
	Winged, Weld on			
	Roadside	S-26874-1L	1	6.25" and 7" ride height
	Curbside	S-26874-1R	1	6.25" abd 7" ride height
	Winged, Weld on			
	Roadside	S-26874-2L	1	9" ride height
	Curbside	S-26874-2R	1	9" ride height
3	FRAME BRACKET GUSSET (Not Shown)			
	3a Standard Mount	S-27330	1	
	3b Flush Mount	S-28516	1	
4	ALIGNMENT COLLARS			
	4a Eccentric Alignment Collar (outer)	S-20925	2	Pivot bolt hole is offset from center of collar
	4b Concentric Alignment Collar (inner)	S-20924	2	Pivot bolt hole is in center of collar
5	QUIK-ALIGN® PIVOT BOLT KIT	S-24705	2	Includes 7" bolt, hex nut and (2) hardened washers
6	TRI-FUNCTIONAL® III BUSHING KIT²	S-26321	2	Includes (2) tri-functional bushings, (2) pivot bolt kits, (4) bushing tube spacers and lube packet
7	BUSHING TUBE SPACERS	S-26807	4	
8	AIR SPRING	S-23721	2	All ride heights
9	AIR SPRING MOUNTING KIT			
		S-22619/2	2	6.25" and 7" ride heights; no air spring spacer
		S-22632/2	2	9" and 12" ride heights; standard air spring spacer
		S-22630/2	2	6.25" and 7" ride height; thick frame .90" to 1.25" thickness
		S-22619/2	2	All ride heights with steel air spring spacer
10	AIR SPRING SPACER			
	10a Plastic Spacer	B-22510-3	2	9" and 12" ride heights
	10b Steel Spacer		1	9" and 12" ride heights
	Roadside	D-28398-2L		Use with extended service rear shock and
	Curbside	D-28398-2R		Narrow air spring centers
	10c Steel Spacer	D-28397	2	9" and 12" ride heights
				Use when unit has no rear shock

¹ Other options exist, please contact Hendrickson for assistance.

² Bushing tool, S-24736, is required to correctly rebush the suspension.





INTRAAAX AANLS 20K PARTS LIST

ITEM	DESCRIPTION	PART NO.	QTY.	NOTE
11	AIR SPRING MOUNTING PLATE			
	11a Roadside Curbside	S-20905	2	9" and 12" ride heights Standard travel or limited rebound; Standard Air spring hardware; no rear shock
	11b Roadside Curbside	C-26157-1L C-26157-1R	1	All ride heights; narrow air spring centers Standard travel or limited rebound; Standard Air spring hardware; extended service rear shock
	11c Roadside Curbside	C-26157-2L C-26157-2R	1 1	All ride heights; Standard travel or limited rebound; Steel air spring spacer; Extended service rear shock
12	AIR SPRING FLEX PLATE	S-23294	2	All ride heights
13	FRONT SHOCKS			
	Standard Duty	S-23651	2	6.25" to 9" ride heights
	Standard Duty	S-23566	2	12" ride height
	Extended Service / High Damping Shock	S-24579	2	6.25" to 9" ride heights
	Extended Service / High Damping Shock	S-24023	2	12" ride height
14	SHOCK STRAP (Not Shown)			Includes (2) shock straps, (2) clevis and (4) nylon ties
		C-23086-4	1	6.25" to 9" ride heights; use with S-23651 shock
		C-23086-1	1	12" Ride height; use with S-23566 shock
		C-23086-8	1	6.25" to 9" ride heights; use with S-24579 shock
		C-23086-2	1	12" ride height; use with S-24023 shock
15	REAR SHOCKS			
		S-25515	2	6.25" and 7" ride heights
		S-23316	2	9" ride height
16	REAR SHOCK TOWER			
	Roadside	D-24807-1	1	
	Curbside	D-24807-2	1	
17a	REAR SHOCK TOWER BOLT	SA-6900-2	8	
17b	REAR SHOCK TOWER NUT	SA-7000-1	8	
18	SHOCK BOLT KITS			
	18a Front Shocks	S-26154/2	2	(1) kit required per shock
	18b Rear Shocks	S-26161/2	2	

NOTE: Identification tag can be found on the inside of the curbside beam.



NOTES:

Lined area for notes with horizontal ruling lines.



INTRAAX AANLS 20K PARTS LIST

Call your trailer dealer or Hendrickson at **330.489.0045** or **866.RIDEAIR (743.3247)** for additional information.



www.hendrickson-intl.com

TRAILER COMMERCIAL VEHICLE SYSTEMS

2070 Industrial Place SE
Canton, OH 44707-2641 USA
866.RIDEAIR (743.3247)
330.489.0045 • Fax 800.696.4416

Hendrickson Canada

250 Chrysler Drive, Unit #3
Brampton, ON Canada L6S 6B6
800.668.5360
905.789.1030 • Fax 905.789.1033

Hendrickson Mexicana

Circuito El Marqués Sur #29
Parque Industrial El Marqués
Pob. El Colorado, Municipio El Marqués,
Querétaro, México C.P. 76246
+52 (442) 296.3600 • Fax +52 (442) 296.3601